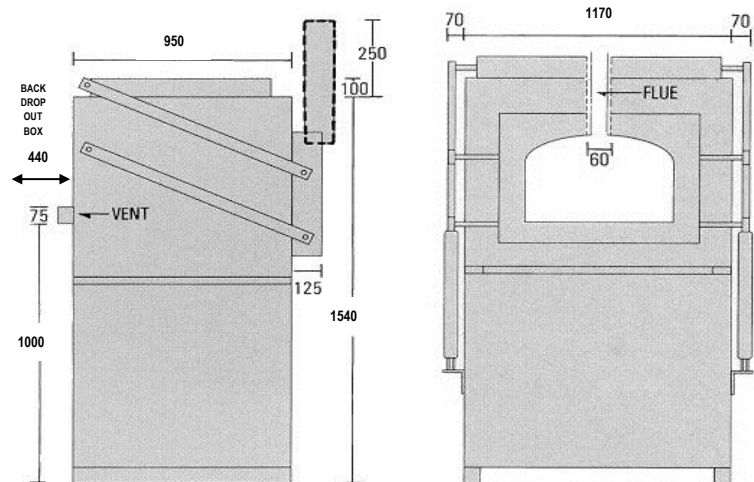
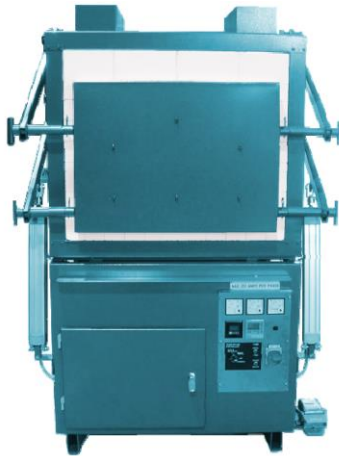


Data Sheet

# Cupellation Furnace Model EMF-H



## Key Benefits

- Uses a No. 8 Muffle.
- Takes 168 x 6a, 7a, 7as or 100 x 8s Cupels or equivalent at one time.
- Easy to maintain and operate.
- Built to Industry Standards

## Technical Specifications

### Construction

- Cabinet is 2 mm zinc anneal sheet steel, lined with fire bricks and backed with Superwool insulation board.
- The furnace is mounted on a console fabricated from 2mm zinc anneal sheet and finished in Hammerfin blue enamel.

### Internal Dimensions

- No. 8 Muffle 370 mm high x 680 mm wide x 670 mm deep.

### Electrical Requirements

- 24kw, 3 Phase. (NOTE: Voltage is customised to destination country of the furnace).

### Heating Elements

- 12 x Silicon carbide elements rated at 24 K.W. total, 3 phase.
- Power supply to the elements is per a multi-tapped double wound transformer.

### Temperature Control

- Electronic, Automatic control.
- Type K Thermocouple.
- High Temperature Alarm output
- Fitted with a 7 day timer.
- Fitted with Over Temperature Controller

### Door Operation

- Pneumatic rising. Operated by foot control.

Reproduction of this document or any part thereof without the written consent of Furnace Industries is not permitted and will be an infringement of Furnace Industries copyright.